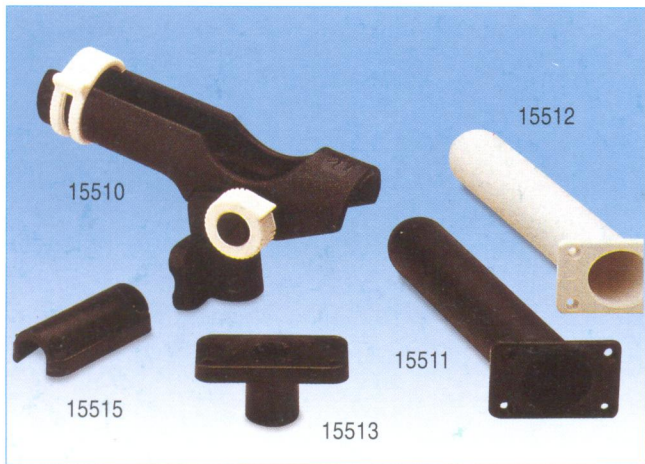


YOUTHFUL

ROD HOLDER, HATCH ADJUSTER



ROD HOLDER, PLASTIC

15510 With locking side mount

SQUARE MOUNT ROD HOLDER, NYLON

ID ϕ 40mm x 240mm(L)

- 15511** Black **15513** Flush deck mount
- 15512** White **15515** Rail adapter kit

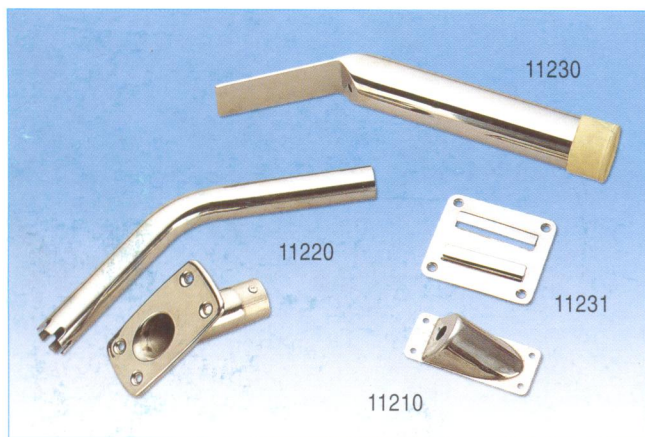


ROD HOLDER, SS

- 11250R** ID ϕ 40mm x 240mm(L) with cap
 - 11252** ID ϕ 40mm x 240mm(L) heavy duty
- 11250 w/o CAP*

ROD HOLDER, PLASTIC (ABS)

- 15500** ID ϕ 40mm x 240mm(L) black
- 15501** ID ϕ 40mm x 240mm(L) white



ROD HOLDER

- 11210** SS, 111mm(L) x 47.6mm(W) x 36.5mm(H) x 1.3mm(T)
- 11220** SS, 90° elbow

LARGE REMOVABLE ROD HOLDER, SS

- 11230** ID ϕ 47.8mm x 250mm(L)
w/mounting plate (#11231)
- 11231** 102mm(L) x 93.5mm(W) x 2mm(T)
mounting plate only

HATCH ADJUSTER, SS

Overall length 12", adjustment length 9-1/2"

- 11380** Front mounted
- 11380S** Side mounted

HATCH ADJUSTER, SS

- 11450** 11mm x 210mm(L)
- 11450L** 20mm x 340mm(L)

HATCH ADJUSTER, ^{SS}BCP

- 12300** Adjustable 10" to 19"
- 12301** Adjustable 12" to 21"

HATCH ADJUSTER, HEAVY DUTY BCP

- 12302** Adjustable 11-3/16" to 19-5/8"

