

**AIR COMPRESSOR****10066**

DC 12V/20AMP, 24V/10AMP

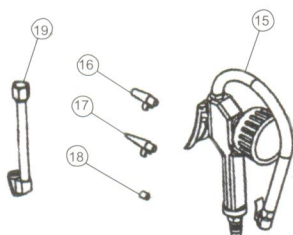
Portable Type

Measurement: 315mm(L) x 305mm(W) x 290mm(H)

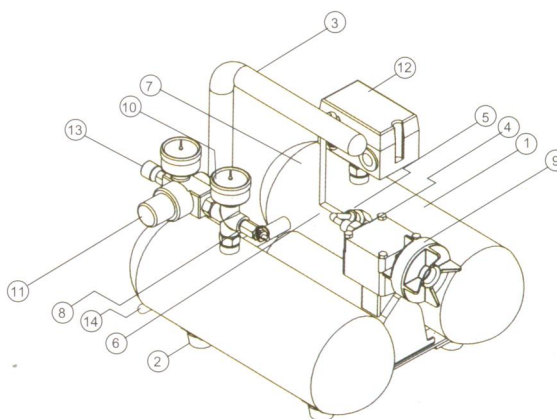
Air force: 10kg/cm²; adjustable by part#11 pressure control valve

Multiple applications by different spare plugs

- Part#13 fast adaptor: fit w/ parts#15 & #19
- Part#15 tire pressure gauge: c/w #16,17,18 for use on rubber boats, rubber pads, balls and etc.
- Part#19: for truck tires
- Part#11: manual adjustable pressure discharge valve.

33.4 litres / minute

#15,16,17,18,19 are options
available upon request

**MANUAL TOILET****15450**

With small bowl & standard plastic seat & cover,
with new hand pump design

15404 Standard plastic seat and cover for manual toilet (Page 12)

15409 New hand pump unit for 15450

